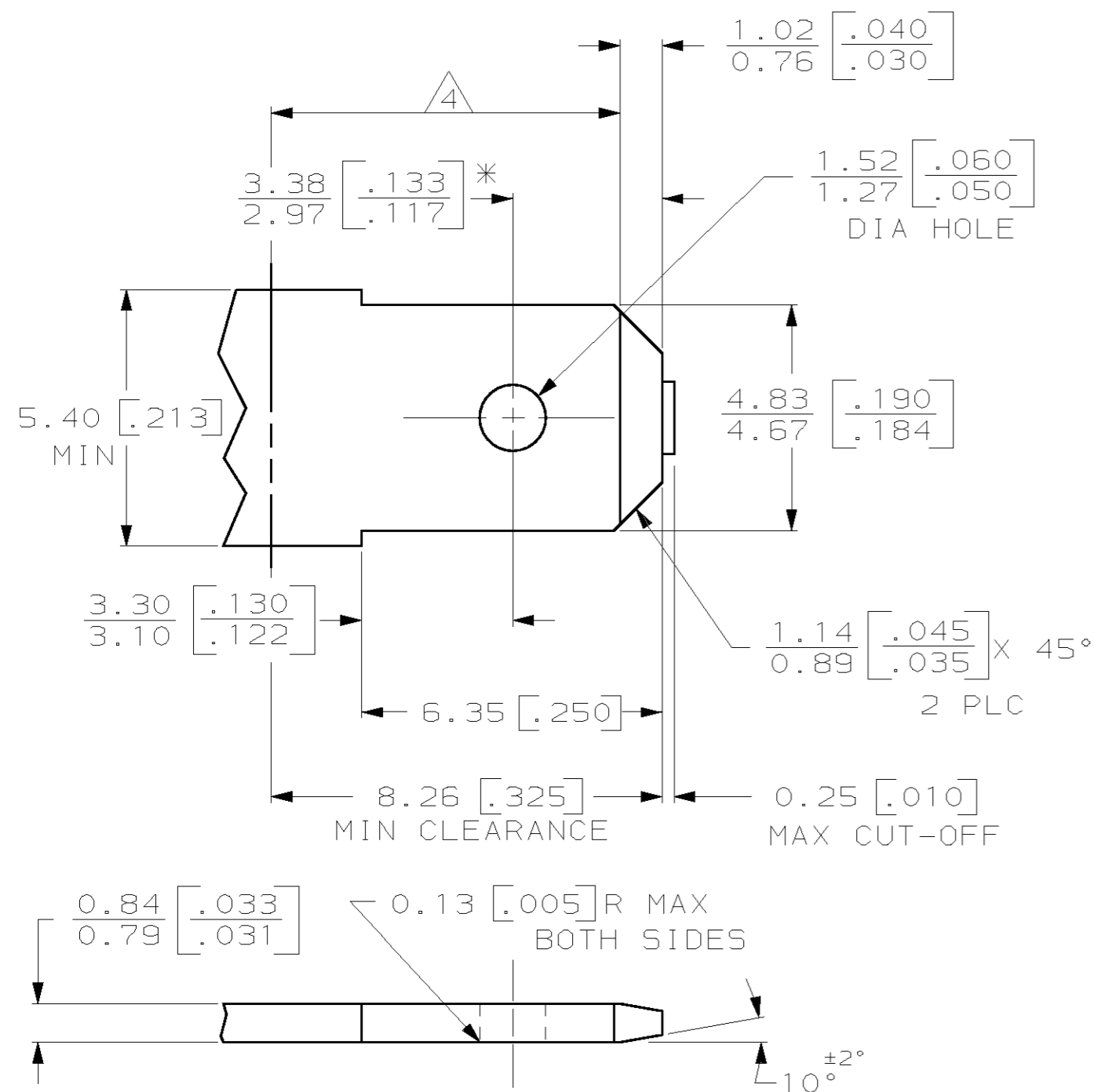


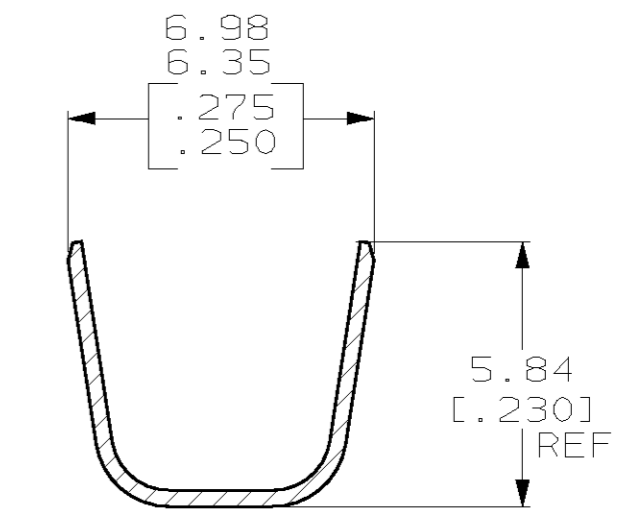
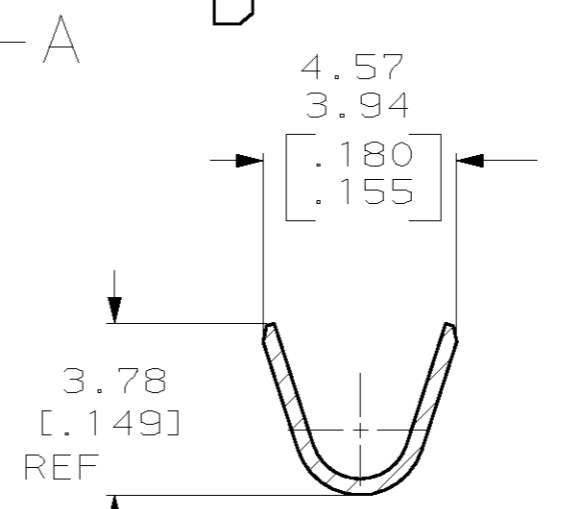
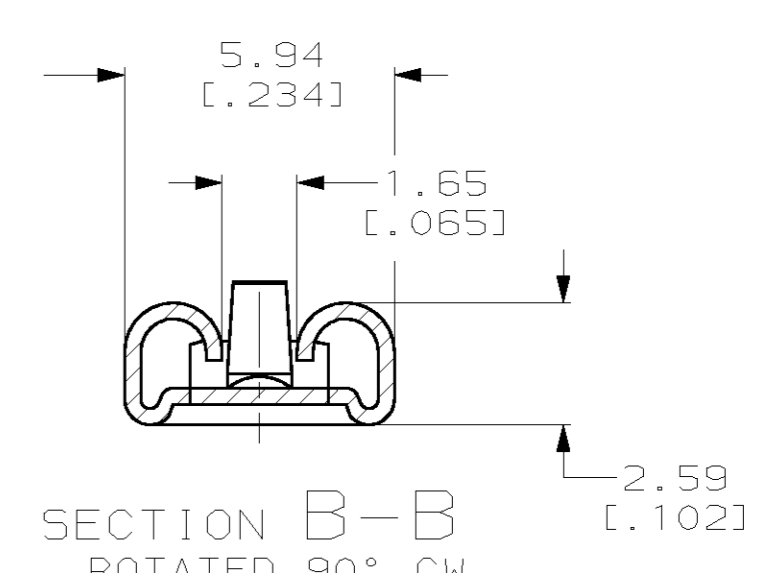
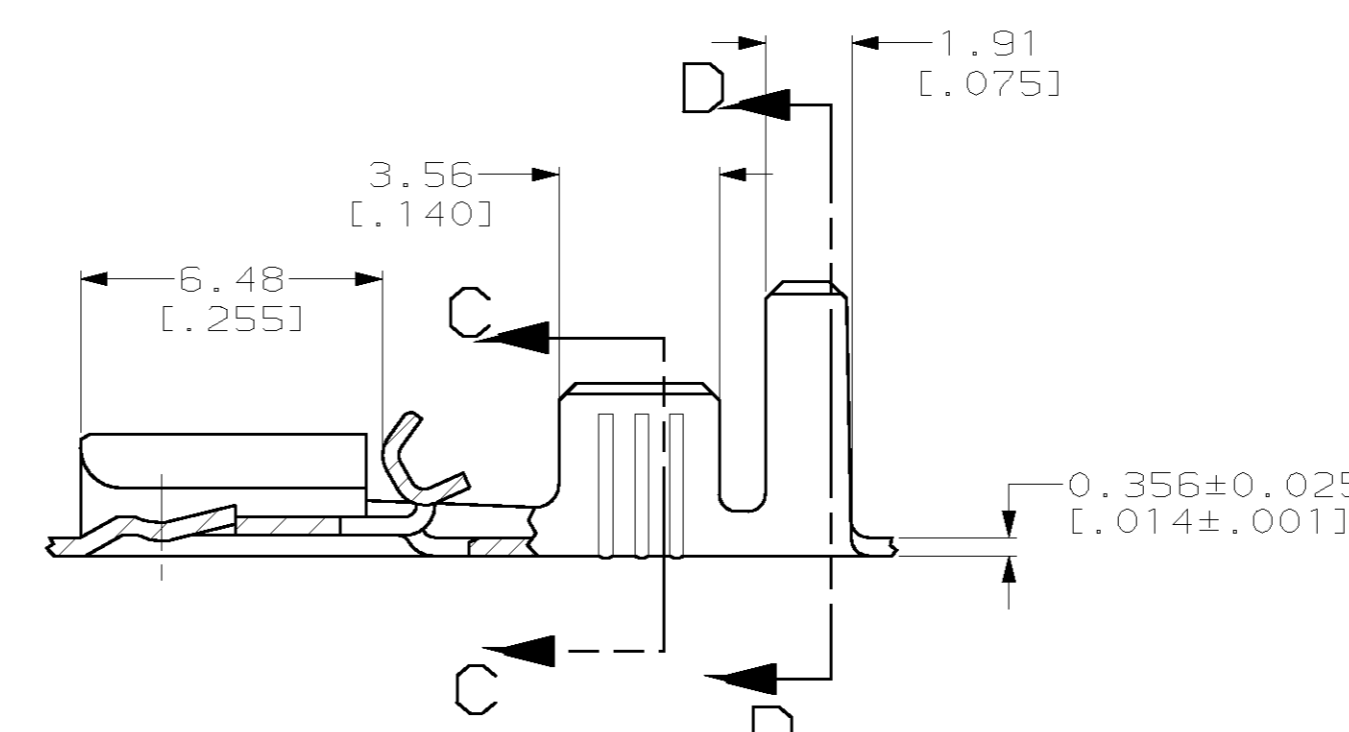
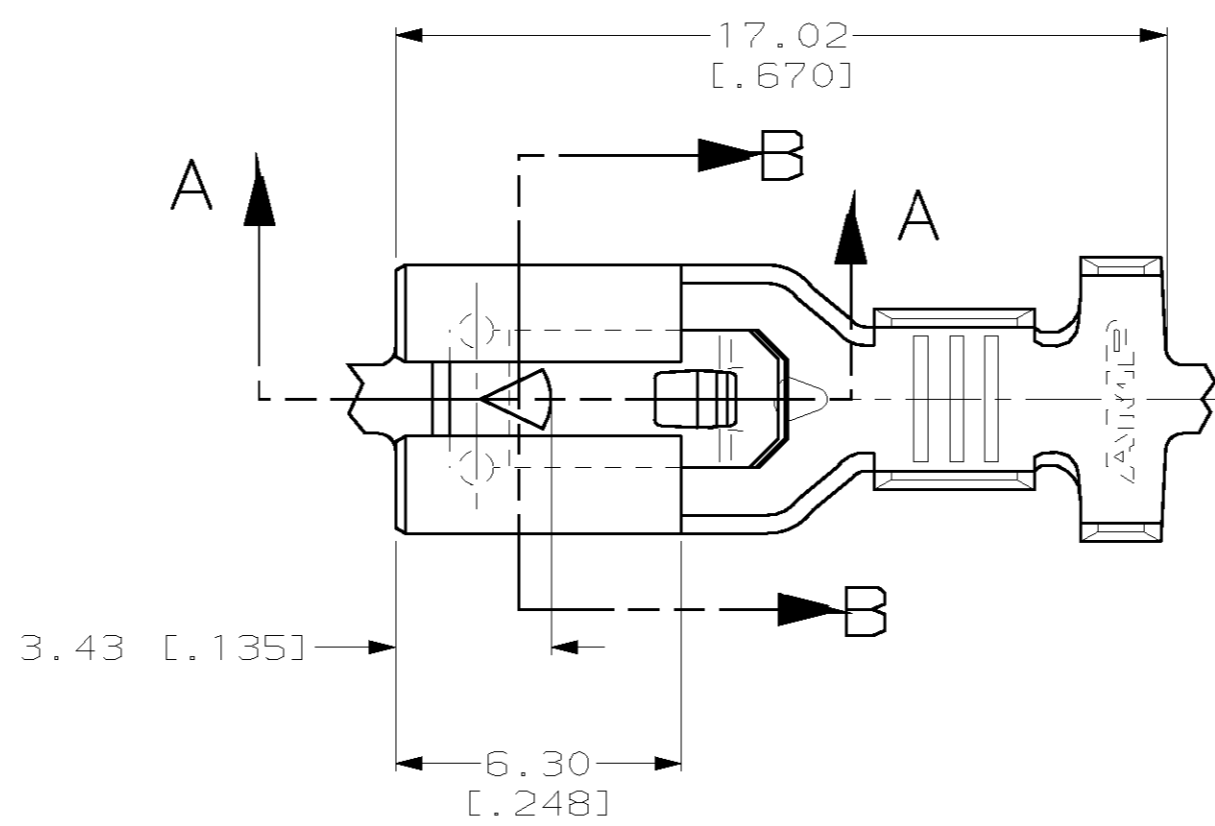
THIS DRAWING IS UNPUBLISHED. RELEASED FOR PUBLICATION .19  
 © COPYRIGHT 19 BY AMP INCORPORATED. ALL RIGHTS RESERVED.

LOC		DIST		REVISIONS			
P	LTR	DESCRIPTION		DATE	DWN	APVD	
AF	50	C	REV PER	063A-0242-00	28JUL00	JR	EH

SUGGESTED MATING TAB



- MATL: #2 HARD BRASS OR NICKEL PLATE STEEL.
  - NO BURRS PERMISSIBLE AT HOLE.
  - TIN PLATING IS REQUIRED ON BRASS WHEN TERMINAL TEMPERATURE IS OVER 225°F.
  - MUST BE FLAT WITHIN 0.076 [0.003] OVER THIS LENGTH.
  - HOLE MUST BE SYMMETRICAL ABOUT TAB  $\downarrow$  WITHIN 0.076 [0.003].
- \* TO BE USED ONLY WHEN SHOULDER IS ELIMINATED.



0.002032 [0.000080] MIN TIN	1217096-2
-	1217096-1
FINISH	PART NO.

THIS DRAWING IS A CONTROLLED DOCUMENT.		DWN	JR RUTH	6/26/98
DIMENSIONS: MM (INCHES)		CHK	MS FEHER	6/26/98
TOLERANCES UNLESS OTHERWISE SPECIFIED:		APVD	E HOWARD	6/26/98
0 PLC	±-	PRODUCT SPEC	-	
1 PLC	±-	APPLICATION SPEC	-	
2 PLC	±0.25 [0.010]	WEIGHT	-	
3 PLC	±-	CUSTOMER DRAWING	-	
4 PLC	±-	SCALE	6:1	
ANGLES	±-	SHEET	1 OF 1	
FINISH	SEE TABLE	REV	C	
MATERIAL	H06 BRASS	SIZE	A2	00779
		CAGE CODE	C-1217096	
		DRAWING NO	1217096	
		RESTRICTED TO	-	

**AMP** AMP Incorporated  
 Harrisburg, PA 17105-3608

RECEPTACLE, POSITIVE-LOCK,  
 MARK III, 4.75 [0.187] SERIES

1217096